

Nonlinear Phenomena In Power Electronics**Austin Antony****Lecturer****Department Of Electronics****Maharaja's Technological Institute****Chembukkavu****Thrissur****Kerala****(Received:20April2020/Revised:10May2020/Accepted:16May2020/Published:26May2020)****Abstract**

This paper presents the idea of nonlinear peculiarities in power gadgets. Power gadgets are the field that joins the ideas of hardware, power and control frameworks. Nonlinear peculiarities are peculiarities, which, rather than a straight framework, can't be made sense of by a numerical relationship of proportionality (that is, a direct connection between two factors). For instance, the spread of an irresistible sickness is most frequently dramatic, as opposed to direct, with time. By and large, power electronic converters are utilized to change energy starting with one state then onto the next. For these converters to work over a great many circumstances, control procedures are utilized. These control methodologies keep the framework steady and controllable. Power electronic converters are essentially made out of nonlinear parts like MOSFETs and diodes, among others. This investigation turns out to be significantly more complicated when a variable voltage, for example, a photovoltaic (PV) framework is utilized as the info voltage of the power hardware converter. This paper centers around portraying various techniques used to distinguish and control nonlinearity in power hardware for PV applications. Nonlinear control plans, for example, Sliding Mode Control (SMC) can be utilized to control tumultuous reactions in these power electronic converters. A few instances of nonlinear electronic parts are: diodes, semiconductors, and iron center inductors and transformers when the center is immersed. A few instances of circuits that work in a nonlinear manner are blenders, modulators, rectifiers, radio beneficiary locators and computerized rationale circuits.

Keywords: - Chaos, NonLinear Control Systems, Photovoltaic Power Systems, Power Convertors, Power Electronics, Variable Structure Systems.

Introduction

The field of force gadget design is entrusted with the change of electric power, starting with one structure and moving onto the next, utilizing electric circuits. There is a wide assortment of force electronic converters, going from AC/DC (rectifiers), DC/DC (converters), and DC/AC (inverters). Generally speaking, contingent upon the circuit geography, power electronic converters can be made out of a blend of energy-putting away components (capacitors and inductors) as well as exchanging gadgets (MOSFETs, diodes, thyristors, BJT, and IGBT). Now and again, transformers are utilized to provide seclusion [1]. Because of the idea of these components, power electronic converters are vulnerable to nonlinear peculiarities, which can prompt a tumultuous way of behaving, making the circuits temperamental [2]. To recognize this sort of conduct in power electronic converters, the accompanying three methodologies are utilized: reenactment, trial and error, and hypothetical numerical demonstrating. Nonlinear peculiarities in a power electronic converter can be concentrated on through the examination of time-space waveforms, stage parameters, recurrence spectra, Poincare segments, and bifurcation outlines [3]. Regardless of the clear disadvantages of a turbulent way of behaving, control methodologies can be carried out to work around here and exploit the wide result range welcomed by a tumultuous reaction. The purpose of this paper is to give an outline of the impacts of nonlinear peculiarities in power electronic converters. This paper responds to the examination inquiries of what nonlinear peculiarities can mean for the exhibition of force electronic converters, how this conduct can be distinguished, and the way in which it very well may be controlled. Additionally, this work exhibits the impacts disorder has on power electronic converters for photovoltaic (PV) applications, where there is fluctuation in power age. The DC/DC Buck converter in blend with a PV numerical model is utilized as an illustration to outline a few strategies and methods used to distinguish between nonlinearity and turbulent behavior.

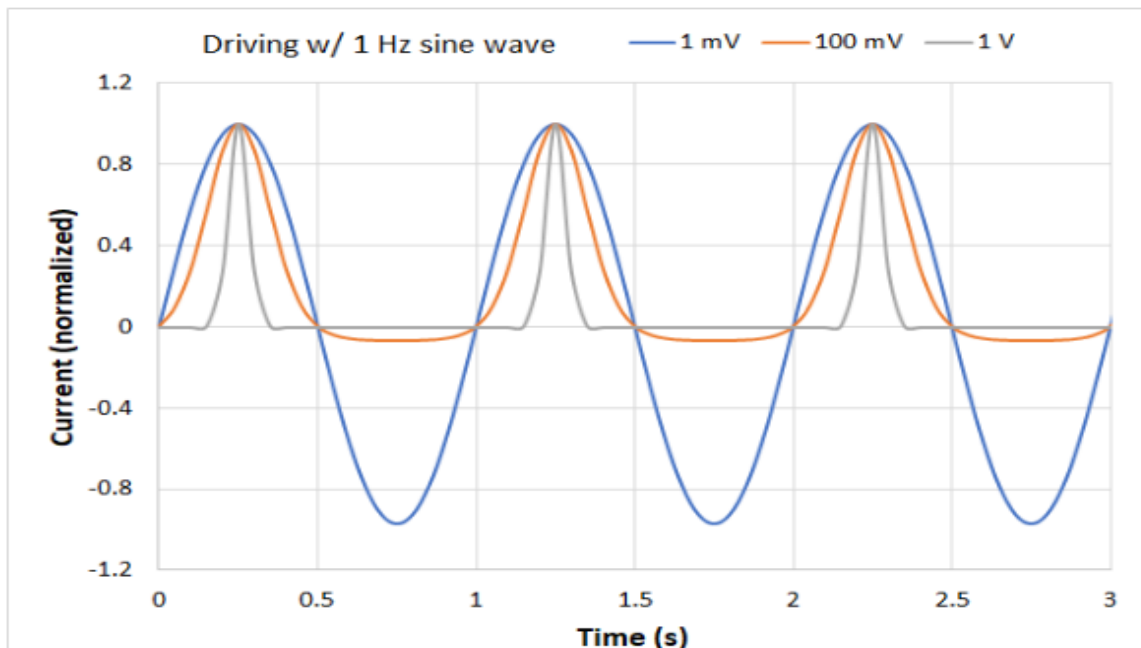
Linear vs. Nonlinear Circuits

In gadgets, we can isolate gadgets as per straight and non-direct activity. Direct gadgets in hardware have their result signal as a straight capability of the information signal. As such, the two are straightforwardly corresponding. We can go as far as possible back to Ohm's Regulation to find that any expansion in applied voltage prompts an expansion in current in the event that the obstruction continues as before. Thus, all the essential circuit boundaries—like obstruction,

inductance, capacitance, waveform, and recurrence—don't change regarding current and voltage. Current coursing through a straight circuit is straightforwardly proportional to the applied voltage.

Interestingly, nonlinear circuits don't have their results and information related by a straight line. For instance, consider an ordinary PN diode. The ongoing voltage in the diode is a dramatic capability of the voltage dropped across the diode. Subsequently, any remaining significant sign characteristics we should gauge for an inconsistent sign are elements of the information signal level. This incorporates the time-space waveform, which may not look like the information waveform by any stretch of the imagination because of solid nonlinearity.

A model is shown below for an air conditioner voltage applied across a PN diode with an ideality factor = 1.5. The diode in this model computation is driven by a 1 Hz sine wave. At the point when the adequacy of the sine wave is low (1 mV), the ongoing waveform in the diode is fundamentally the same as the information sine waveform. There are very minor deviations, yet these deviations are so small that you'll most likely never measure them. As the information voltage plentifulness is expanded to 100 mV and 1 V, we perceive how the sine waveform delivers a corrected heartbeat-type waveform.



This mutilation of an information waveform at high info signal level is basic electrical way of behaving of nonlinear circuits and parts. Hence, it's essential to know when nonlinear impacts

begin to become clear while planning circuits and how to manage them assuming that they do occur.

Nonlinear Components

There is a scandalous little tidbit that most specialists don't understand and most physicists won't tell you: each electronic gadget that has at any point been made or at any point will be made is nonlinear! In any case, there are parts where you won't ever quantify the nonlinear way of behaving of the part at useful sign levels and conditions. The gadget will either break when the information level turns out to be excessively high, or the nonlinear way of behaving is too feeble to possibly be seen in down to earth circumstances.

That being said, we can characterize a few normal parts as direct or nonlinear:

- Straight gadgets incorporate resistors, capacitors, and most inductors when driven with low current.
- Nonlinear gadgets incorporate semiconductor gadgets (semiconductors and diodes), ferrite inductors driven at high current where attractive immersion happens, all enhancers, and practically totally coordinated circuits.

Semiconductors and incorporated circuits are an extraordinary case. All semiconductor circuits have a straight reach where the result current is a direct capability of the base current/door voltage. All in all, if we somehow managed to drive a basic producer supporter speaker with a low level sine wave, the result waveform will very closely resemble the info waveform. At high information level, the result will be twisted, very much like the instance of the sine wave displayed previously.

A similar applies to virtually completely incorporated circuits that bring a contribution to CMOS rationale because of these qualities of semiconductors. Conversely, a direct IC works over a ceaseless scope of information levels and has a result relative to its bits of feedbacks. Speakers are fascinating in that they are some of the time nonlinear gadgets and now and again direct gadgets in hardware.

Overview Of The Electric Motors And Drive Systems

The electric engine drives are basic parts of the advanced electromechanical frameworks. They are generally utilized in an assortment of homegrown and industry applications, for example, electric and crossover vehicles, electric drills, ventilation fans, and material machines. The general chart of an electric drive framework is portrayed in Fig. It tends to be seen that the

framework can be partitioned into two significant parts: 1. the electrical part, which incorporates the essential power converter, electronic regulator, sensors, and downstream converters; 2. the mechanical part, which incorporates the electric machine and the mechanical burden. The change in electromechanical energy happens at the air hole of the engine, which is a layer through which the trading of energy is understood. The essential power converter fills in as a power conditioner between the electric machine and the source, which controls the power stream for understanding the producing or motoring tasks. The electronic regulator, normally executed by either the advanced sign processor (DSP)/microcontroller unit (MCU) or the straightforward simple hardware, is the focal part that orders the exchanging conduct of the essential converter. What's more, a scope of detecting circuits is required and incorporated into the framework to change the quantifiable amounts, for example, the rotor position, pivot speed, electromagnetic force, vibration, and temperature, into computerized or simple signs. These signs, being shipped off the regulator, ought to be handled in advance to specific, suitable levels. Under various stacking conditions, the electric engine drive framework depends on such an input component to keep up with its legitimate activity.

Filling in as the center part in the electromechanical frameworks, the electric engine drives have drawn in huge interest from both industry and the scholarly community. To accomplish wanted generally execution, the plan of the drive frameworks ought to meet a few significant necessities including high pinnacle power, high beginning force for speed increase, high power thickness, quick force reaction, high unwavering quality, high productivity with the lengthy scope of speed, and decreased cost. In the accompanying conversation, a few normal kinds of electric engines including DC engines, enlistment engines (IM), long-lasting magnet (PM) engines, simultaneous hesitance engines (SynRM), and exchanged hesitance engines (SRM) are momentarily covered.

Conclusion

An outline of the impacts of nonlinear peculiarities in power electronic converters for photovoltaic applications is introduced. Power electronic converters are commonly nonlinear frameworks and may display nonlinear ways of behaving, for example, bifurcations and disorder for explicit boundary ranges. Nonlinear peculiarities are peculiarities that, rather than a straight framework, can't be made sense of by a numerical relationship of proportionality (that is, a direct connection between two factors). For instance, the spread of an irresistible sickness is most frequently outstanding, instead of straight, with time. These can be named static or dynamic. A

framework for which there is a nonlinear connection between information and result that doesn't include a differential condition is known as static nonlinearity. Then again, the information and result might be connected through a nonlinear differential condition.

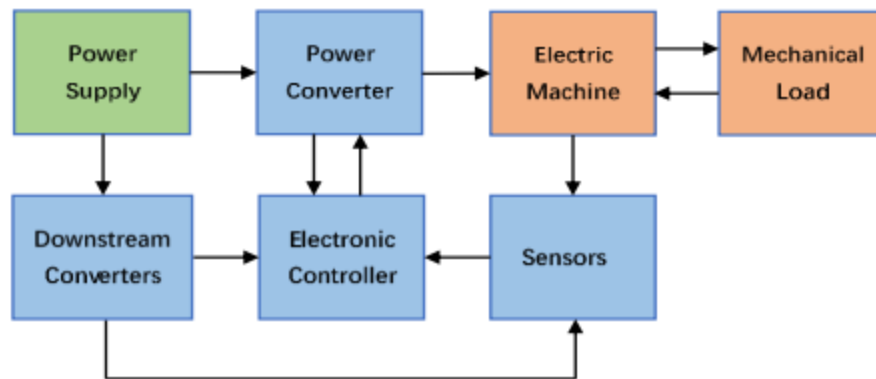


Fig. 1. Block diagram of the electric motor drive system

References

- [1].Darbali-Zamora R, Ortiz-Rivera EI. An overview into the effects of nonlinear phenomena in power electronic converters for photovoltaic applications. In2019 IEEE 46th Photovoltaic Specialists Conference (PVSC) 2019 , (pp. 2908-2915).
- [2].Reza CM, Lu DD. Recent progress and future research direction of nonlinear dynamics and bifurcation analysis of grid-connected power converter circuits and systems. IEEE Journal of Emerging and Selected Topics in Power Electronics. 2019, (4):3193-203.
- [3].Kolokolov Y, Monovskaya A, Bagrov V. Analytics on Nonlinear Phenomena in Dynamics of Hysteresis Regulators with Double Synchronization. In2019 International Siberian Conference on Control and Communications (SIBCON) 2019 (pp. 1-6).
- [4].El Aroudi A, Haroun R, Al-Numay MS, Calvente J, Giral R. Fast-scale stability analysis of a DC–DC boost converter with a constant power load. IEEE Journal of Emerging and Selected Topics in Power Electronics. 2019 (1):549-58.
- [5].Tsilipakos O, Christopoulos T, Sinatkas G, Kriezis EE. Single-and multi-channel nonlinear phenomena in resonant structures comprising graphene. In2019 Thirteenth International Congress on Artificial Materials for Novel Wave Phenomena (Metamaterials) 2019 (pp. X-435).
- [6].Lenz E, Pagano DJ, Ruseler A, Heldwein ML. Two-parameter stability analysis of resistive droop control applied to parallel-connected voltage-source inverters. IEEE Journal of Emerging and Selected Topics in Power Electronics. 2020 Feb 3;8(4):3318-32.

- [7].Hu W, Yang R, Wang X, Zhang F. Stability analysis of voltage controlled buck converter feed from a periodic input. *IEEE Transactions on Industrial Electronics*. 2020 Mar 25;68(4):3079-89.
- [8].Wu H, Pickert V, Ma M, Ji B, Zhang C. Stability study and nonlinear analysis of DC–DC power converters with constant power loads at the fast timescale. *IEEE Journal of Emerging and Selected Topics in Power Electronics*. 2020 Jan 13;8(4):3225-36.
- [9].Mesgarpour Tousi M, Ghassemi M. Effects of frequency and temperature on electric field mitigation method via protruding substrate combined with applying nonlinear FDC layer in wide bandgap power modules. *Energies*. 2020 Apr 18;13(8):2022.
- [10]. Busatto T, Ravindran V, Larsson A, Rönnberg SK, Bollen MH, Meyer J. Deviations between the commonly-used model and measurements of harmonic distortion in low-voltage installations. *Electric Power Systems Research*. 2020 Mar 1;180:106166.